



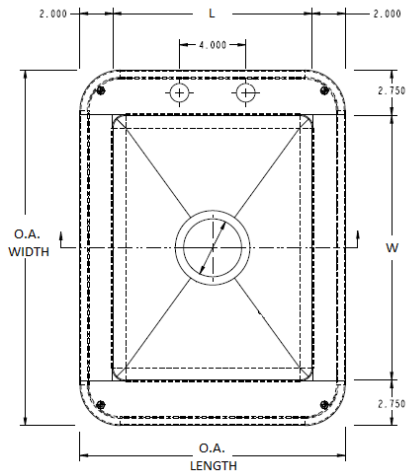
ONE COMPARTMENT DROP-IN SINK WITH NO DRAINBOARD

PROJECT#: _____

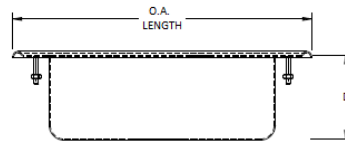
ITEM# _____

MODEL# _____

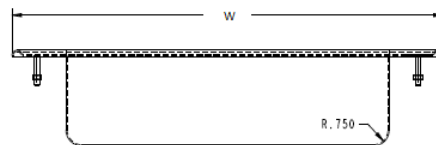
Model #	Bowl Size L x W x D	O.A. Dims L x W	Model #	Bowl Size L x W x D	O.A. Dims L x W
D-1-1212-4.5	12" x 12" x 4 1/2"	15" x 17 1/2"	D-1-1616-4.5	16" x 16" x 4 1/2"	19" x 21 1/2"
D-1-1212-7.5	12" x 12" x 7 1/2"	15" x 17 1/2"	D-1-1616-7.5	16" x 16" x 7 1/2"	19" x 21 1/2"
D-1-1212-10	12" x 12" x 10"	15" x 17 1/2"	D-1-1616-10	16" x 16" x 10"	19" x 21 1/2"
D-1-1216-4.5	12" x 16" x 4 1/2"	15" x 21 1/2"	D-1-1916-4.5	19" x 16" x 4 1/2"	22" x 21 1/2"
D-1-1216-7.5	12" x 16" x 7 1/2"	15" x 21 1/2"	D-1-1916-7.5	19" x 16" x 7 1/2"	22" x 21 1/2"
D-1-1216-10	12" x 16" x 10"	15" x 21 1/2"	D-1-1916-10	19" x 16" x 10"	22" x 21 1/2"
D-1-1416-4.5	14" x 16" x 4 1/2"	17" x 21 1/2"	D-1-2216-4.5	22" x 16" x 4 1/2"	25" x 21 1/2"
D-1-1416-7.5	14" x 16" x 7 1/2"	17" x 21 1/2"	D-1-2216-7.5	22" x 16" x 7 1/2"	25" x 21 1/2"
D-1-1416-10	14" x 16" x 10"	17" x 21 1/2"	D-1-2216-10	22" x 16" x 10"	25" x 21 1/2"
D-1-1814-4.5	18" x 14" x 4 1/2"	21" x 19 1/2"	D-1-2816-4.5	28" x 16" x 4 1/2"	31" x 21 1/2"
D-1-1814-7.5	18" x 14" x 7 1/2"	21" x 19 1/2"	D-1-2816-7.5	28" x 16" x 7 1/2"	31" x 21 1/2"
D-1-1814-10	18" x 14" x 10"	21" x 19 1/2"	D1-2816-10	28" x 16" x 10"	31" x 21 1/2"



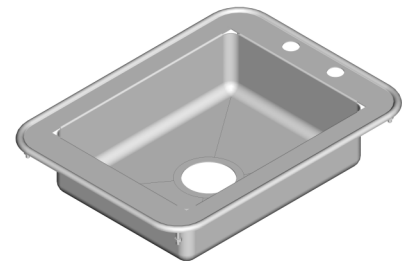
PLAN



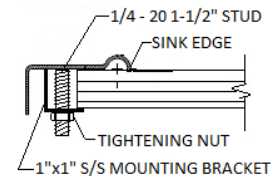
SECTION



ELEVATION



ISOMETRIC VIEW



DETAIL SECTION

Mechanical Specifications

- 16 gauge 304 stainless steel fabrication
- 3 1/2" drain opening with crumb cup drain and basket strainers 1 1/2" IPS
 - Fully welded, seamless and polished to a #3 commercial finish
 - Horizontal and vertical corners covered to a 3/4" radius
 - Die formed depression to drain in bowl bottom
 - 1 set of faucet holes 4" o.c.
 - 1" x 1" stainless steel mounting bracket
 - 1/4 – 20 studs @ 1 1/2" long welded to underside of sink edge
 - Feathered edge around perimeter of sink bowl on all 4 sides
 - NSF listed and labeled

Optional

- 14 gauge 304 stainless steel fabrication available
 - Different bowl sizes and depths
 - Additional faucet drillings
 - Sound deadening to underside of sink bowl
 - ADA options